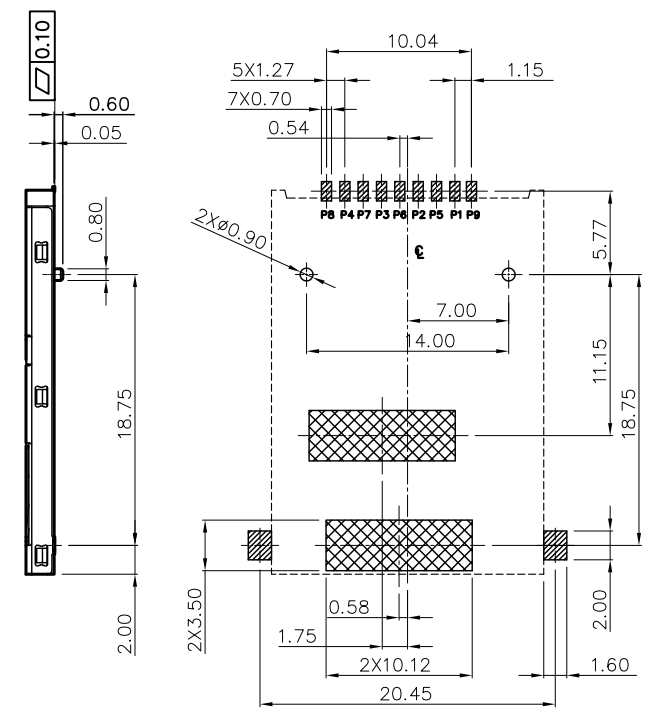
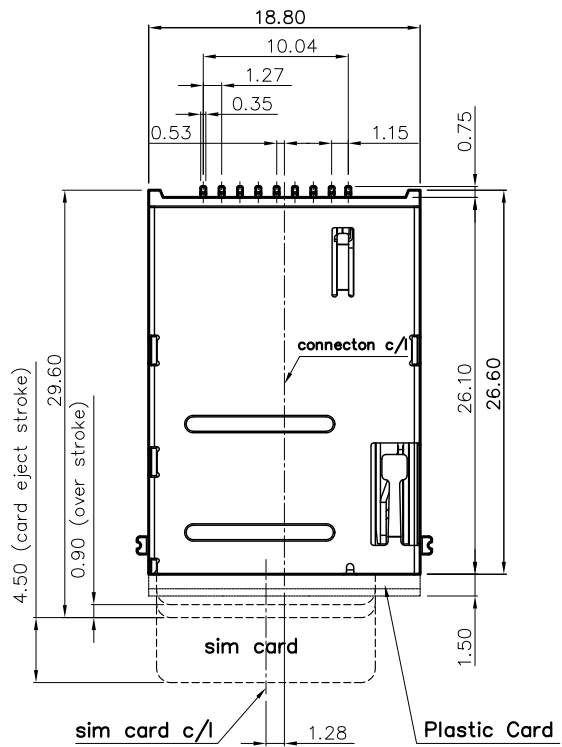
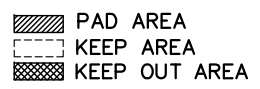


REV.	DESCRIPTION	DATE
A	RELEASE	Aug 23, 2011



RECOMMEND PCB LAYOUT
TOLERANCE: ±0.05
TOP VIEW



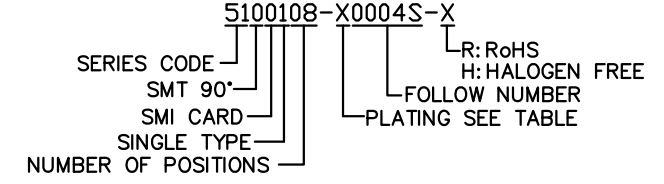
MATERIALS

- HOUSING : THERMOPLASTIC (UL 94V-0) .
- TERMINAL : COPPER ALLOY,
PLATING : GOLD PLATED ON CONTACT AREA, TIN PLATED ON SOLDER TAILS.
- SHELL : STEEL,
PLATING : NICKEL PLATED OVERALL.
GOLD PLATED ON SOLDER TAILS.

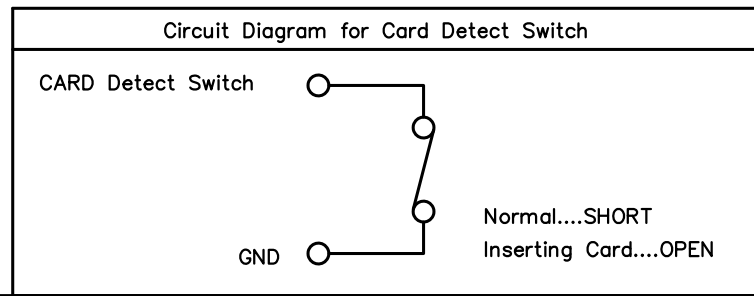
SPECIFICATION

- CURRENT RATING : 0.5 A. MAX.
- DIELECTRIC WITHSTANDING VOLTAGE :
500V AC R.M.S. FOR 1 MINUTE.
- INSULATION RESISTANCE : 1000MΩ MIN. AT 500V DC.
- CONTACT RESISTANCE : 30mΩ MAX.
- OPERATING TEMPERATURE : -40°C TO +85°C.

PART NUMBER INFORMATION :



DESCRIPTION OF PLATING ON TERMINALS			
NO.	EXPLAIN	NO.	EXPLAIN
0	GOLD FLASH	3	GOLD 15u"
1	GOLD 5u"	4	GOLD 20u"
2	GOLD 10u"	6	GOLD 30u"



Connector terminal NO.	Pin NO.
Pin 1	VCC:PWR signal and GND
Pin 2	RST:Reset signal
Pin 3	CLK:Clocking signal
Pin 4	Reserved
Pin 5	GND:PWR signal and GND
Pin 6	VPP:Programing Voltage
Pin 7	I/O:Serial date input/output
Pin 8	Reserved
Pin 9	CD:CARD Detect Switch

TOLERANCE	DRAWER
.0=±0.25	21
.00=±0.15	CHECK
.000=±0.05	21
ANG.=±3°	APP'D
	21
	PRODUCT SPEC.
	—
UNITS : mm	
SCALE	SIZE
NONE	A6
SHEET	REV.
1 OF 1	A

INMO
东莞市英墨电子有限公司
INMO Electronics Co.,Ltd
NAME
SIM CARD PUSH PUSH 8PIN H=2.0
DRAW NO.
R5100108-X0004S-X